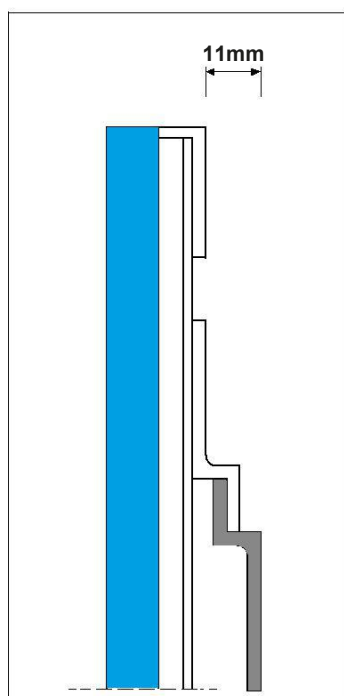
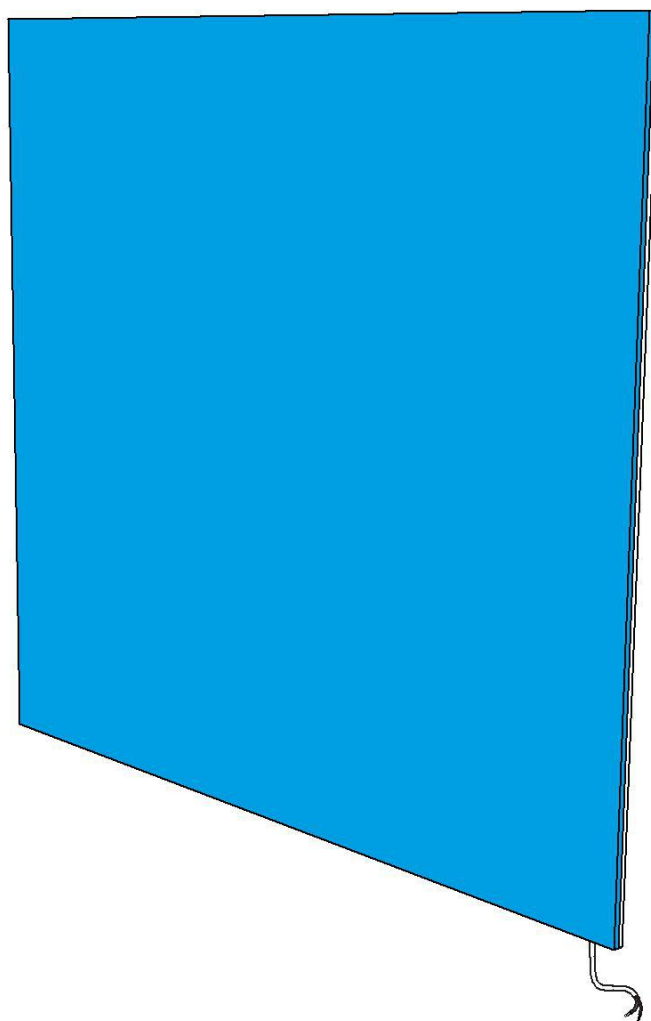


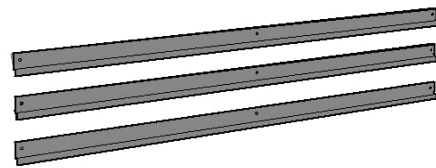
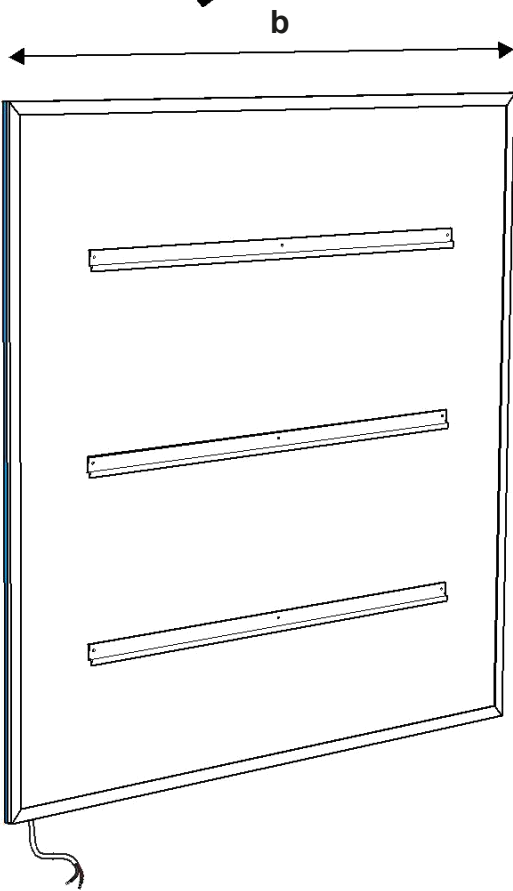
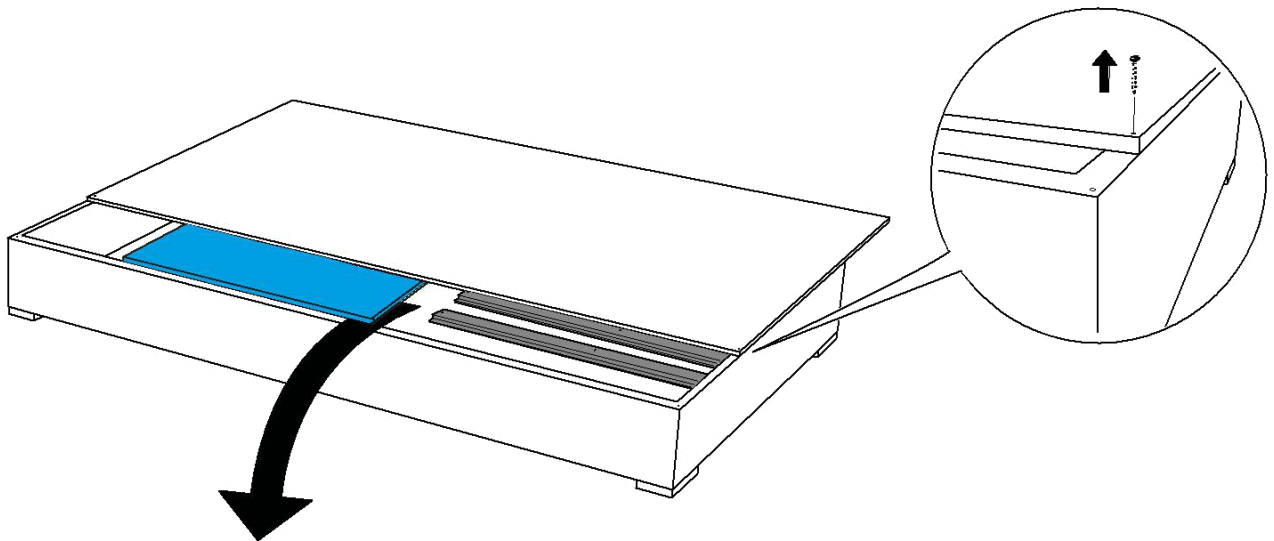
FOLIO

USER MANUAL 使用手册

Z brackets Z 型支架

11

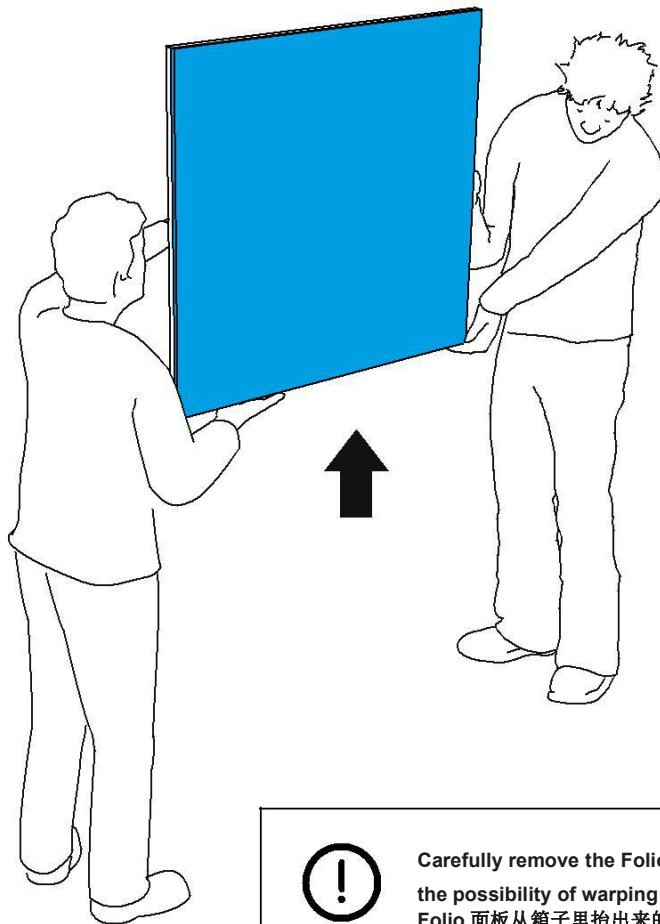
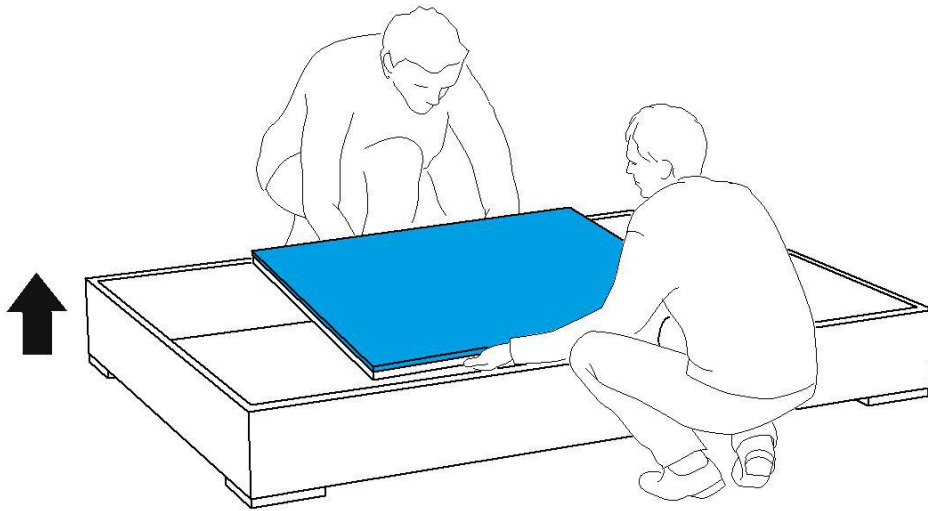




Inside the crate you will find: 箱子里面有

- Folio lighting panel(s) Folio 照明面板
- Z brackets Z 型支架

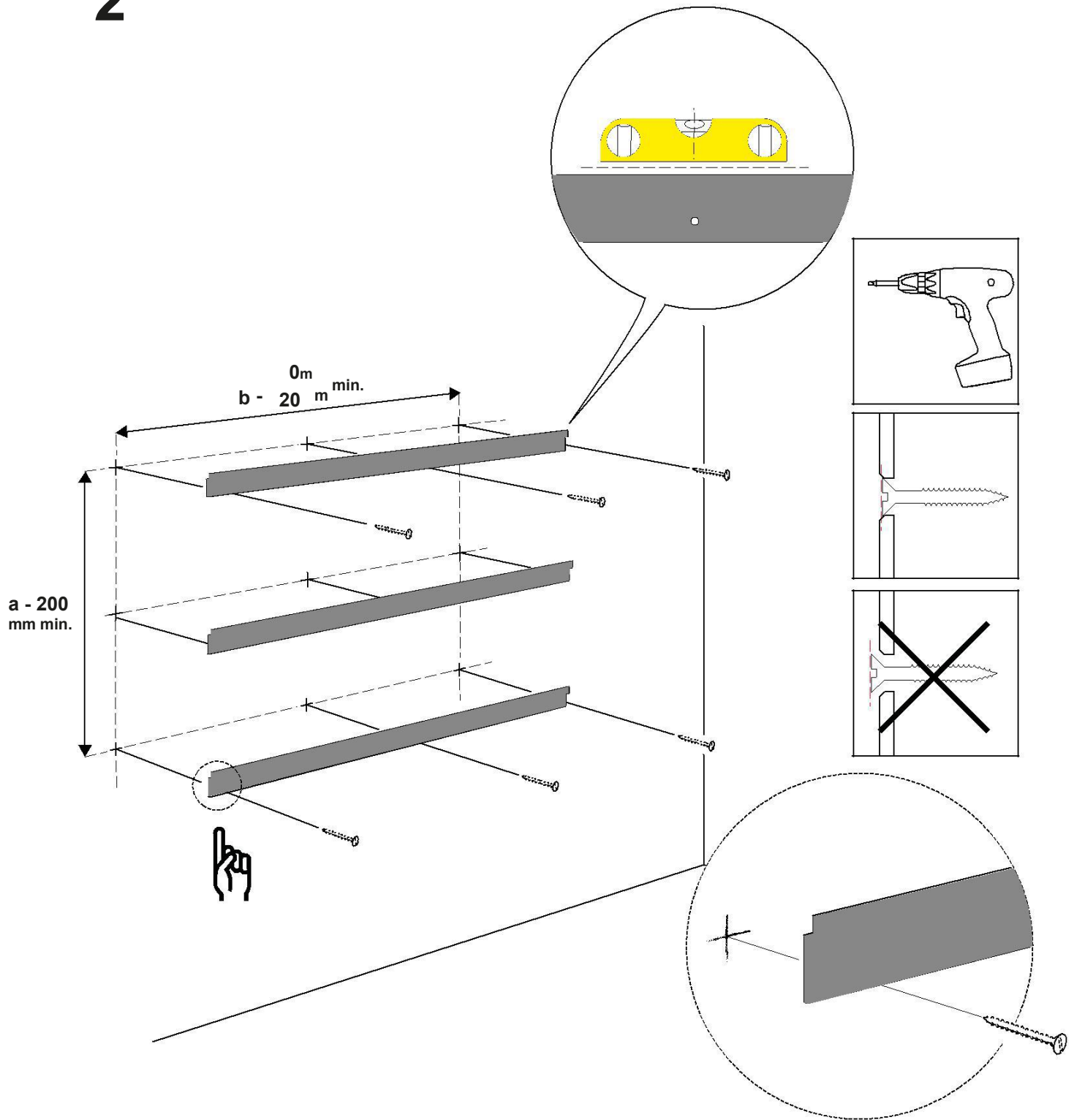
1



Carefully remove the Folio panel(s) from the crate avoiding the possibility of warping by carrying it in a vertical position. 将 Folio 面板从箱子里抬出来的时候，请垂直搬动避免面板可能会弯曲。

Carry the panel always keeping it in the same vertical position, avoiding hitting, pulling or damaging the electrical cables. Avoid contact of Folio panels with liquids. 搬动面板请一直保持同一垂直方向，避免碰撞 拉伸 损坏电力电缆，避免面板接触到液体。

2



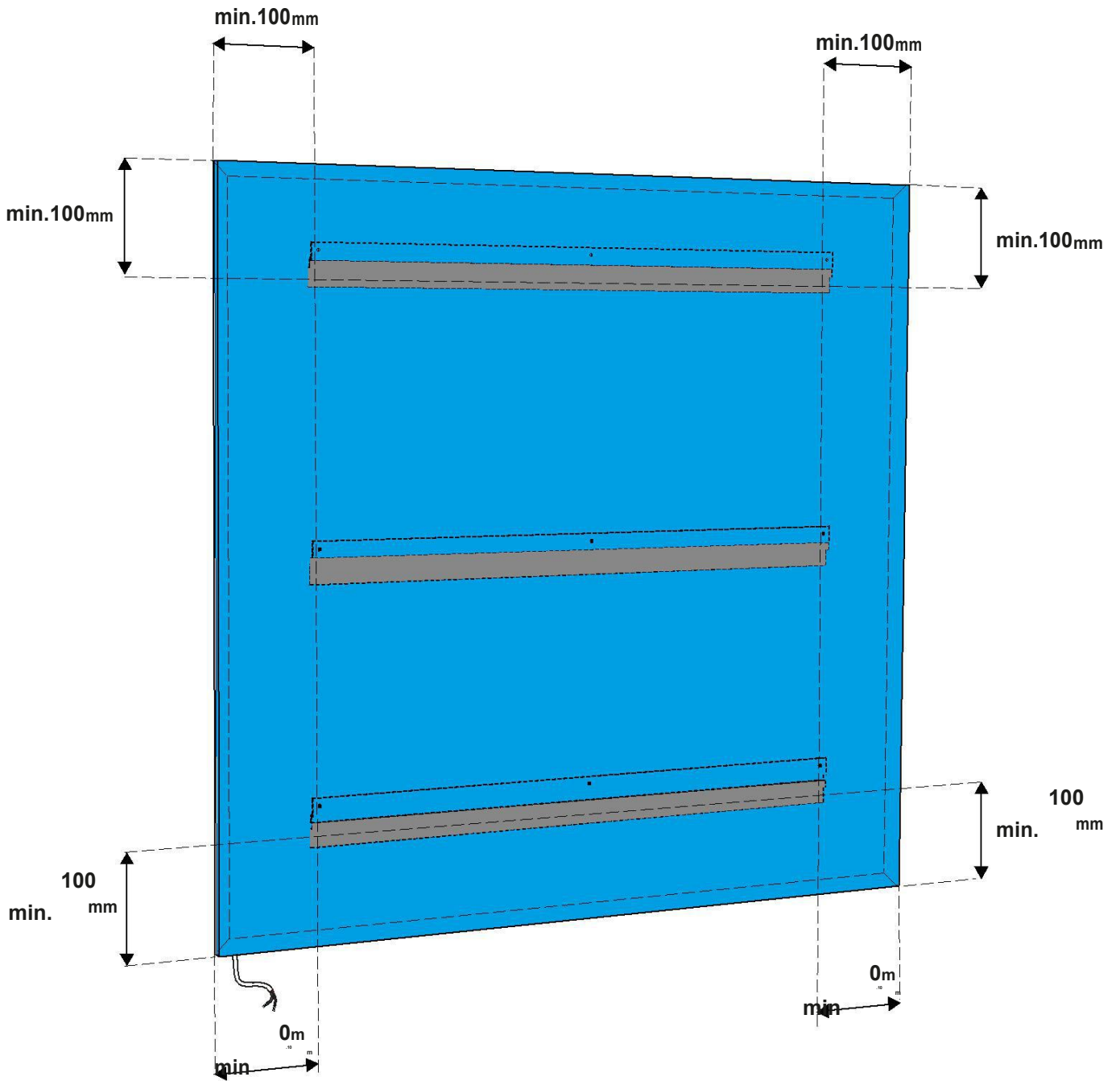
Fix the Z brackets to the wall with screws or other suitable fixing systems paying attention to: 用螺丝把 Z 型支架固定到墙上或者用其他合适的固定方式也可以，但是请注意：

- Positioning the brackets parallel to each other, with the help of a calibration tool. 使用校准工具，将支架平行放置
- The “head” of the screw while fixing the brackets: it must not protrude. 锁螺丝，螺丝的头不能突出来。

-Fixing the Z brackets in an area which is 200 mm less than the external dimension of the Folio panel.

(see page 5) 固定 Z 支架在小于 Folio 面板外部尺寸 200mm 的区域。（如第五页所示）

3



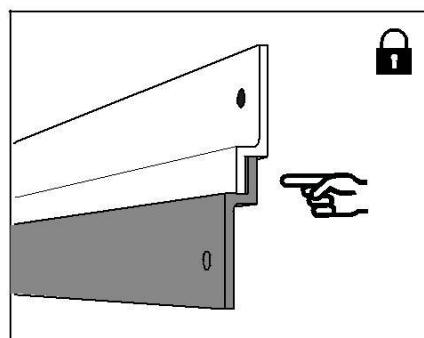
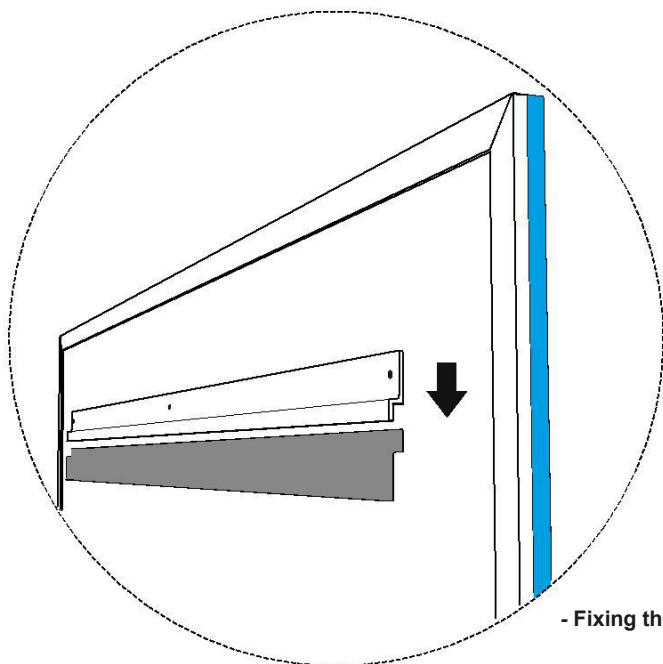
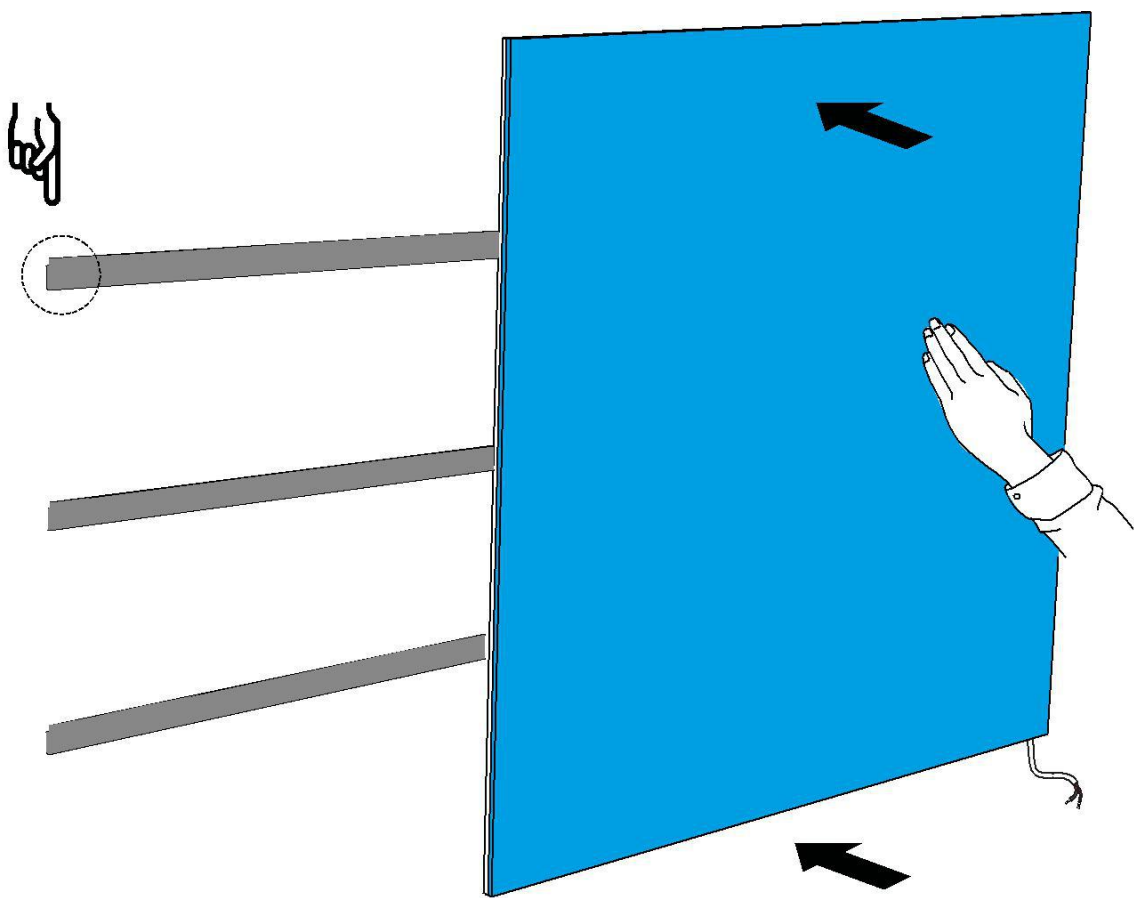
The figure shows the exact position of the brackets for mounting.

图中显示安装支架的正确位置。The brackets shown are fixed to the wall at a distance of 100 mm from the external rim to the centre of the hole in the bracket.所示支架固定到墙上，距离外框到支架孔中心有 100mm。



N.B. The dotted elements are behind the panel.注意，有点元素在面板后面。

4

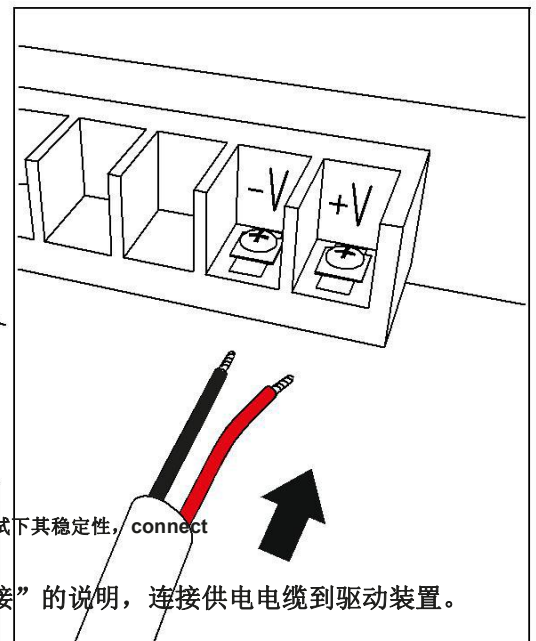
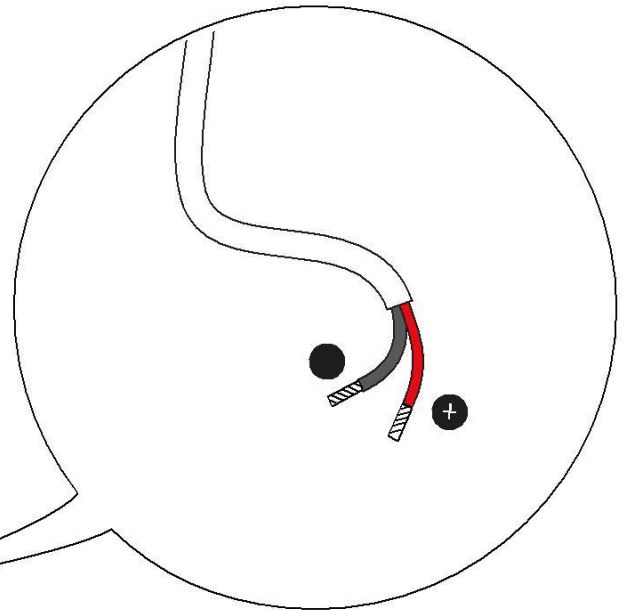
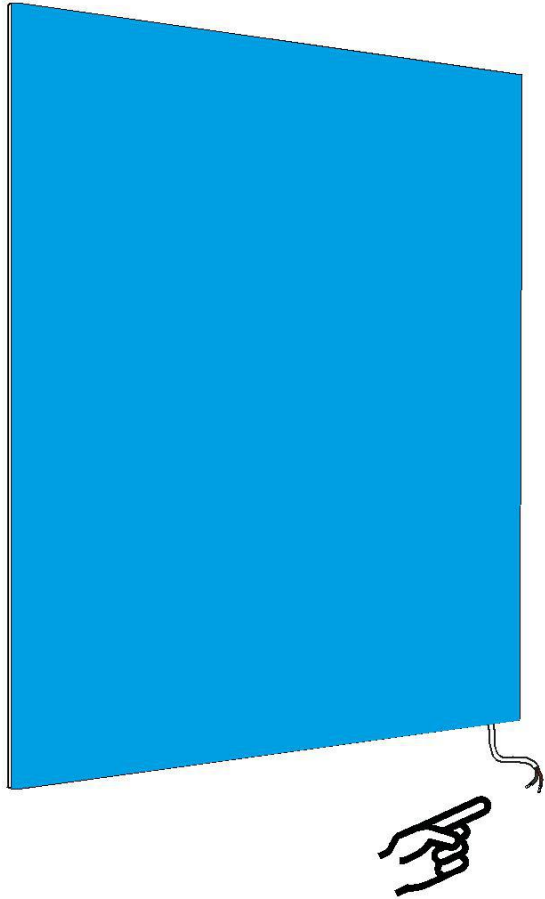


Connect the Folio panel to the Z brackets. 将 Folio 面板和 Z 型支架连在一起。

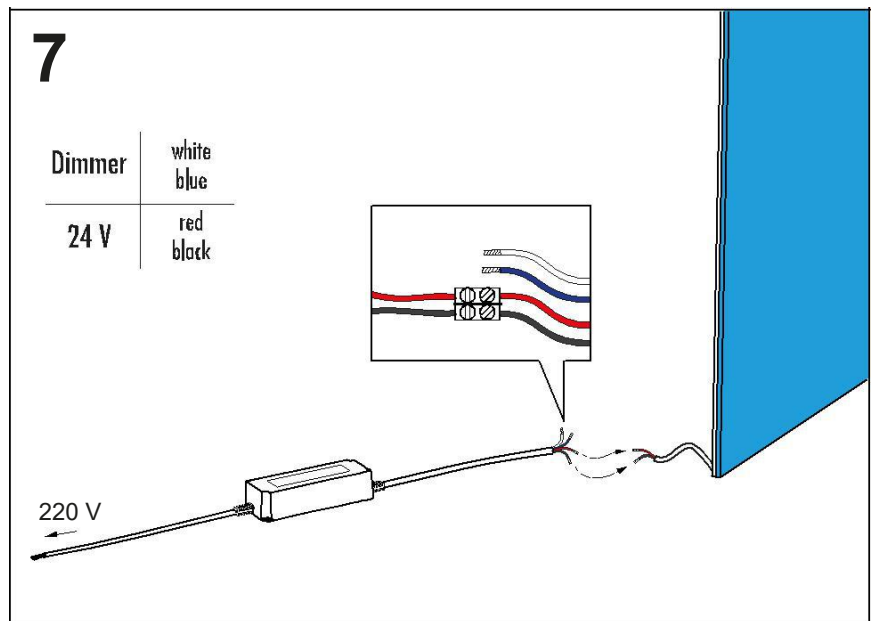
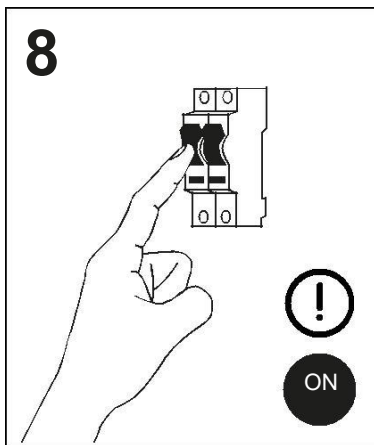
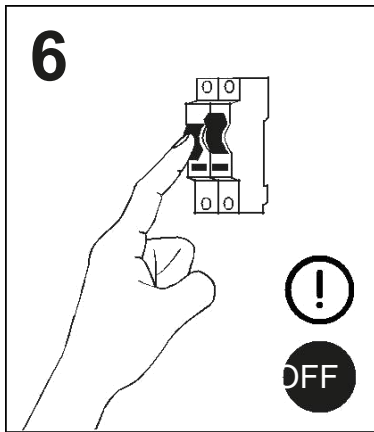
Paying attention to: 注意

- Fixing the panel correctly anchoring it vertically. 正确垂直固定面板

5



After fixing the Folio panel and verifying its stability, 固定面板后测试下其稳定性, connect the power supply cable to the driver following the instructions labeled "electrical connections" 根据标有 "电气连接" 的说明, 连接供电电缆到驱动装置。



! Make sure to disconnect the power supply, connect the cable of the LED panel to the driver as shown in step 7. 确保断电，根据步骤 7，连接 led 面板和驱动装置

Connecting the red cable **+** of the panel with the red cable **+** of the driver and the black cable **-** of the panel to the black cable **-** of the driver. 面板的红色电线接驱动装置的红色电线，黑色接黑色 Subsequently connect the driver to the electrical system with the 220 V cable and power the system. 然后用 220V 的电缆将驱动连接到电气系统，并为系统供电。

WARNING: 警告

Consult the company Cifralluminio before intervening in any way on the FOLIO panels. 在以任何方式介入 FOLIO 面板之前，请先咨询 Cifralluminio 公司。 For any doubts on the functioning of the device or on its maintenance consult Cifralluminio. 对设备功能和维护有任何疑问，请咨询 Cifralluminio 公司。

- Do not manipulate or open the Folio panel 不要操作或打开 Folio 面板
- Do no flex/bend the panel 不要弯曲面板
- Do not unscrew/tamper with any screw on the panel 不要触碰面板上的任何螺丝
- Do not spray/pour directly on the panel any kind of liquid/detergent 不要触碰到任何液体
- Keep in a dry place 存放于干燥处
- Keep away from heat sources 远离热源
- Do not expose to direct sunlight 请勿直接暴晒
- Keep away from combustible substances 远离易燃物质
- Avoid contact with vapors, fumes, dust, gas and liquids 避免接触蒸汽、油烟、灰尘、气体和液体
- Avoid accumulation of electrostatic charges 避免静电
- Avoid hitting or friction 避免碰撞或者摩擦



Use class II transformers with adequate absorption with regards to the consumption of the Folio panel, with an exit current of 24V and with SELV exits EN 61347-2-13 compliant. 关于 Folio 面板的消耗，使用 2 级变压器，24V 的输出电流和符合 EN 61347-2-13 的安全超低电压，充分吸收。 It is recommended to connect maximum 4/5 Folio panels to one driver. 建议一个驱动装置最多连接五分之四的 Folio 面板。

DIMMING: 调光

Dimmable with: 可调光的

- PWM - DALI - DMX